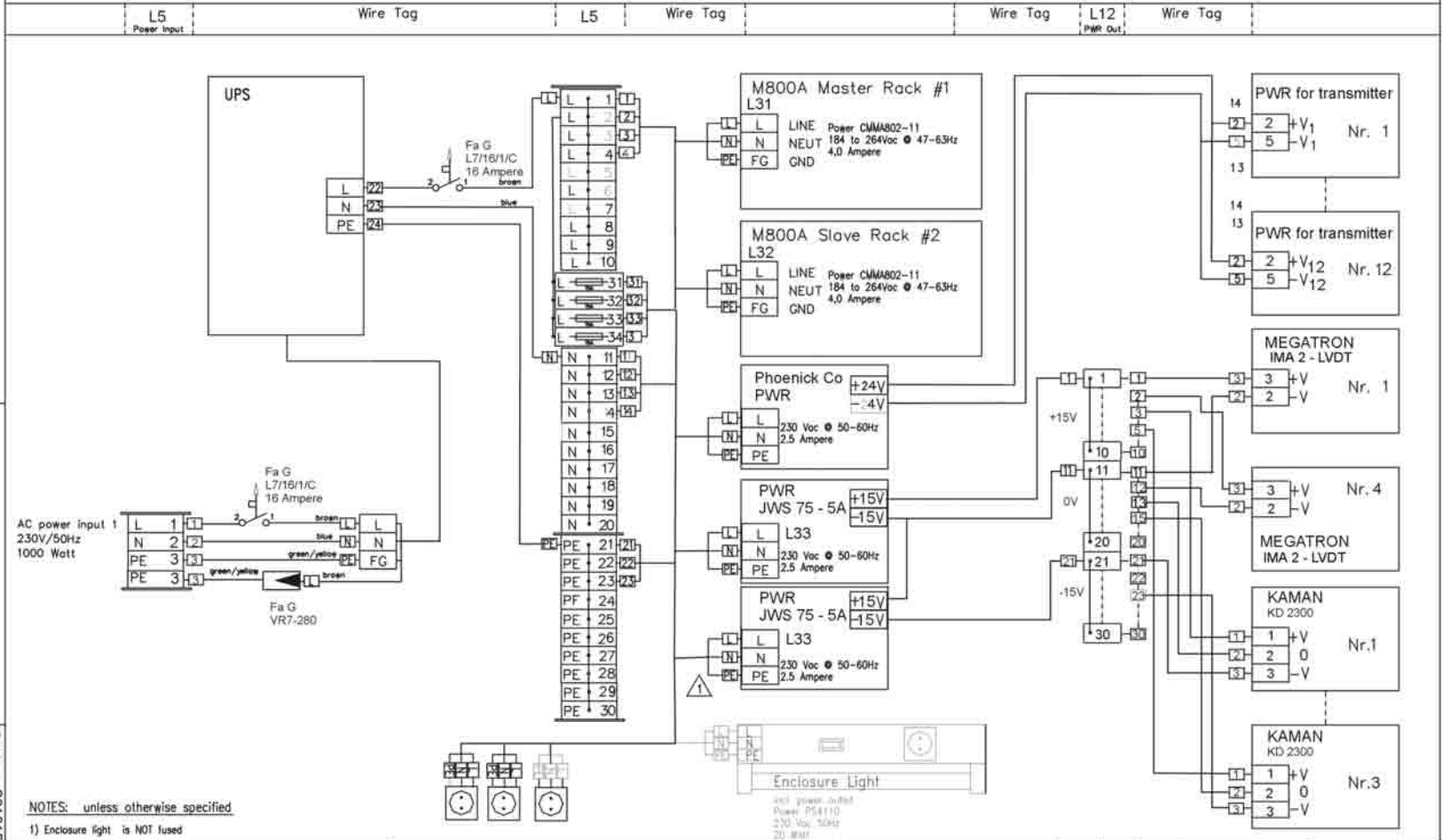


REVISIONS					
REV	ECO	DESCRIPTIONS	DATE	DRAWN	CHECK
A	-	Release	15.10.00	LL	O.V.
B	-	For Approval	15.11.00	LL	O.V.
C	-	-	-	-	-



NOTES: unless otherwise specified

1) Enclosure light is NOT fused

Project: 201015

TITLE Power Distribution Cabinet  
Machine Monitoring System  
Turbine TK13.125

CUST

**CMMS**  
Prague, The Czech Republic

Drawn	LCMM3	13.10.00	Sheet	1 of 1	Scale	None
Check	OV SKF	13.11.00	Drawing Number	SEP001000509		
Approved			Size	A3	Rev.	B

Project: 201015 0509-1



Project: 2011015

TITLE Connection Diagram, CH1 - CH10  
Input / DC Output connection  
Turbine TK13-125

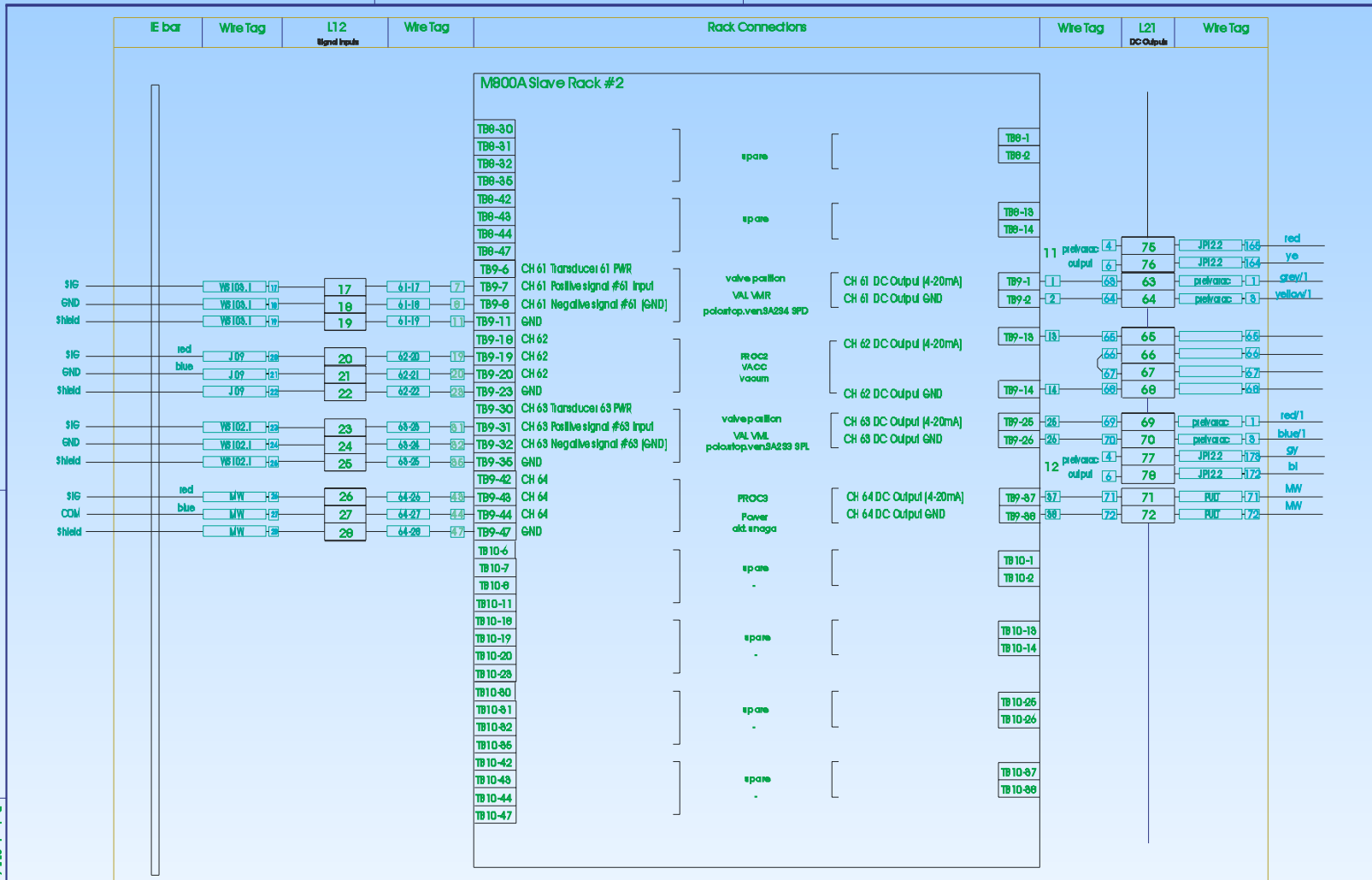
CUST



Drawn	LL CMMS 10-10-00	Sheet 1 of 9	Scale	None
Check	OV: 01E 10-11-00	Drawn Name	File	A3
Approved		5EP001000510	Rev.	B

Project: 2011015 081018





Project: 2116-00491  
0491-1

TITLE Connection Diagram, CH79 - CH88  
Input / DC Output connection  
LADISLAV LOHNISKY

CURT



Drawn	LL GMB	24-10-20	Sheet 9 of 10	Scale	None
Check	OV. 015	15-11-20	Drawn by	no	no
Approv.			21 Z001 000491	A3	PR

Project: 2116-00491 0491-1

